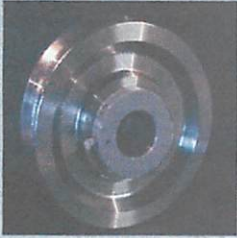


CUSTOM THREADING SYSTEMS, LLC



CUSTOM DESIGNED THREADING SYSTEMS



CUSTOM DESIGNED THREADING SYSTEMS



Quality

Price

Service

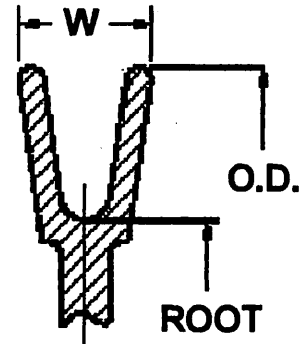


1230 Grubb Road, Chillicothe, OH 45601
 Office: 937-846-1405 FAX : 937-846-1459

RETURN SHEAVES

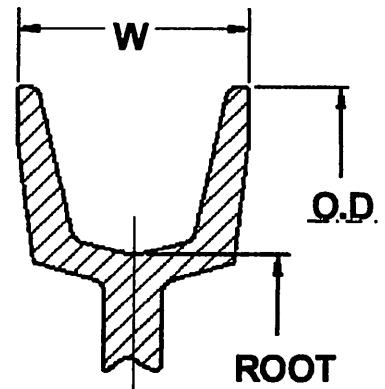
1 ROPE NARROW = CRS1N

Part #	Outside Diameter	Root Diameter	Width
CRS1N0705	7	5.63	1.25
CRS1N0806	7.5	5.63	1.25
CRS1N0906	8.5	5.63	1.36
CRS1N1208	12	8	1.88
CRS1N1510	14.5	9.63	1.88



1 OR 2 ROPE NARROW = CRS2N

Part #	Outside Diameter	Root Diameter	Width
CRS2N0504	5.25	4.25	1.56
CRS2N0604	6	4.25	1.75
CRS2N0806	8	6	2
CRS2N0906	9	6	2
CRS2N1008	10	8	2
CRS2N1208	12	8	2.36
CRS2N1410	14	10	2.36

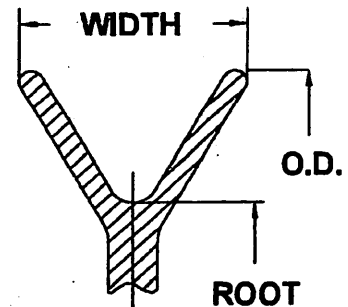


CUSTOM THREADING SYSTEMS, LLC 1230 Grubb Road, Chillicothe, OH 45601
 TEL: 937-846-1405 FAX: 937-846-1459

BULLETIN #1227022NS

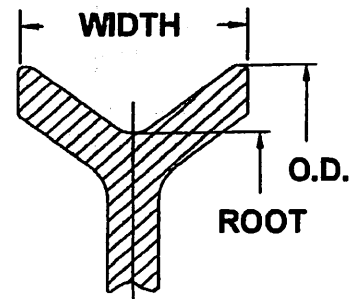
RETURN SHEAVES 1-ROPE = CRS

Part #	Outside Diameter	Root Diameter	Width
CRS0704	7"	4.25"	2.38"
CRS0906	9"	6"	2.38"
CRS1108	11"	8"	2.38"
CRS1310	13"	10"	2.38"
CRS1512	15"	12"	2.38"
CRS1714	17"	14"	2.38"



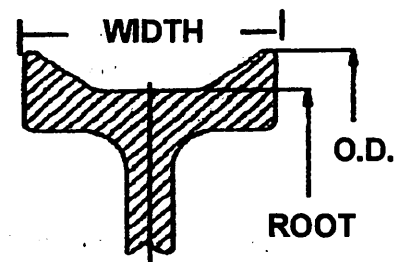
TRANSFER SHEAVES 1-ROPE = CTS1

Part #	Outside Diameter	Root Diameter	Width
CTS0504	5.5"	4.25"	2.25"
CTS0605	6.5"	5"	2.25"
CTS0706	7.5"	6"	2.25"
CTS0807	8.5"	7"	2.25"
CTS0908	9.5"	8"	2.25"
CTS1009	10.5"	9"	2.25"
CTS1110	11.5"	10"	2.25"
CTS1211	12.5"	11"	2.25"



TAIL CARRIER SHEAVES 2-ROPE = CTC2

Part #	Outside Diameter	Root Diameter	Width
CTC20504	5.25"	4.25"	2.25"
CTC20605	6"	5"	2.25"
CTC20706	7"	6"	2.25"
CTC20807	8"	7"	2.25"
CTC20908	9"	8"	2.25"
CTC21009	10"	9"	2.25"
CTC21110	11"	10"	2.25"
CTC21211	12"	11"	2.25"

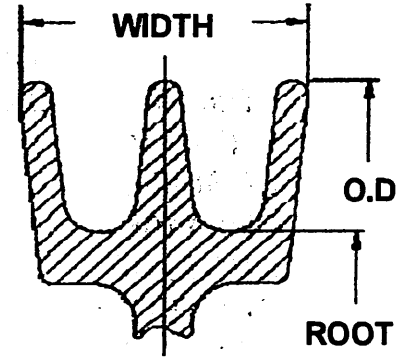


CUSTOM THREADING SYSTEMS, LLC 1230 Grubb Road, Chillicothe, OH 45601
 TEL: 937-846-1405 FAX: 937-846-1459

BULLETIN #1227071

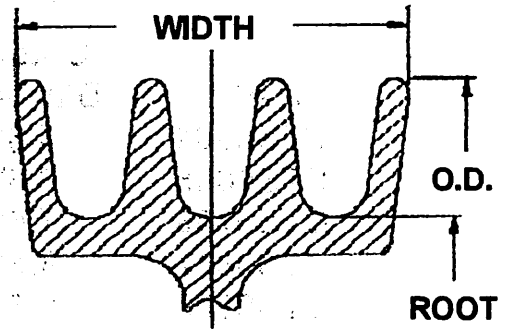
DOUBLE GROOVE RETURN SHEAVES 2-ROPE = CDG2

Part #	Outside Diameter	Root Diameter	Width
CDG20705	6.5"	4.25"	2.81"
CDG20906	8.25"	6"	2.81"
CDG21108	10.25"	8"	2.81"
CDG21310	12.25"	10"	2.81"
CDG21512	14.25"	12"	2.81"
CDG21714	16.25"	14"	2.81"



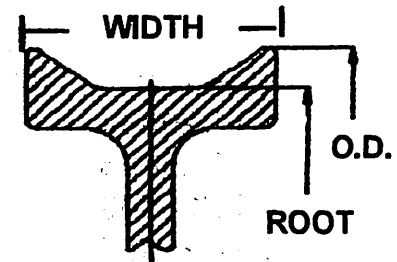
TRIPLE GROOVE RETURN SHEAVES 3-ROPE = CDG3

Part #	Outside Diameter	Root Diameter	Width
CDG30705	7"	5"	4.13"
CDG30907	9"	7"	4.13"
CDG31108	10.25"	8"	4.13"
CDG31310	12.25"	10"	4.13"
CDG31513	15"	13"	4.13"
CDG31715	17"	15"	4.13"



TAIL CARRIER SHEAVES 3-ROPE = CTC3

Part #	Outside Diameter	Root Diameter	Width
CTC30605	5.25"	4.25"	2.75"
CTC30706	7"	6"	2.75"
CTC30908	9"	8"	2.75"
CTC31110	11"	10"	2.75"
CTC31312	13"	12"	2.75"

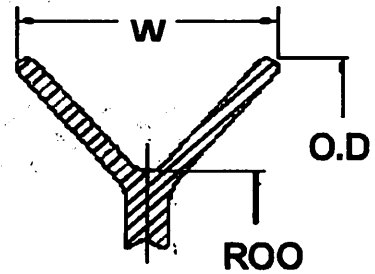


CUSTOM THREADING SYSTEMS, LLC 1230 Grubb Road, Chillicothe, OH 45601
 TEL: 937-846-1405 FAX: 937-846-1459

BULLETIN #1227072

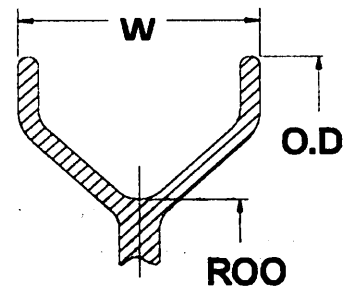
RETURN SHEAVES 1-ROPE "V" GROOVE = CTB

Part #	Outside Diameter	Root Diameter	Width
CTB0906	9"	6"	3"
CTB1007	10"	7"	3"
CTB1108	11"	8"	3"
CTB1310	13"	10"	3"
CTB1512	15"	12"	3"



RETURN SHEAVES 1-ROPE "U" GROOVE = CBJ

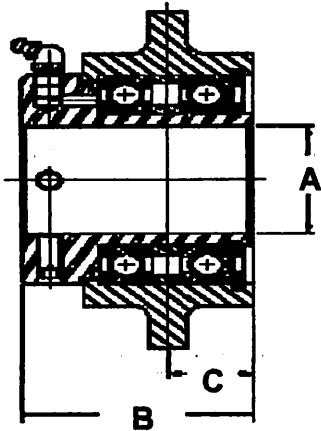
Part #	Outside Diameter	Root Diameter	Width
CBJ9.7506	9.75"	6"	3"
CBJ11.7508	11.75"	8"	3"
CBJ13.7510	13.75"	10"	3"
CBJ15.7512	15.75"	12"	3"



CUSTOM THREADING SYSTEMS, LLC 1230 Grubb Road, Chillicothe, OH 45601
 TEL: 937-846-1405 FAX: 937-846-1459

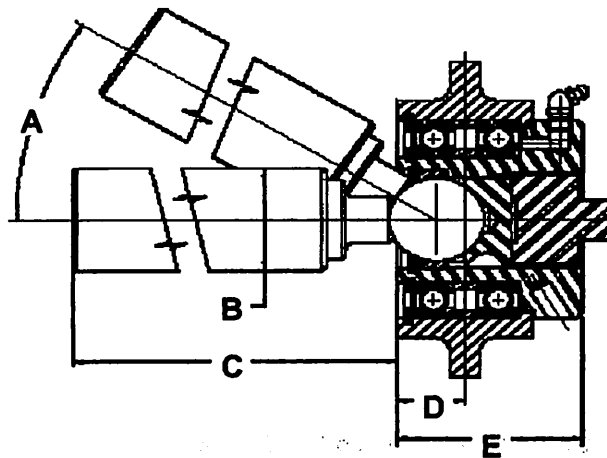
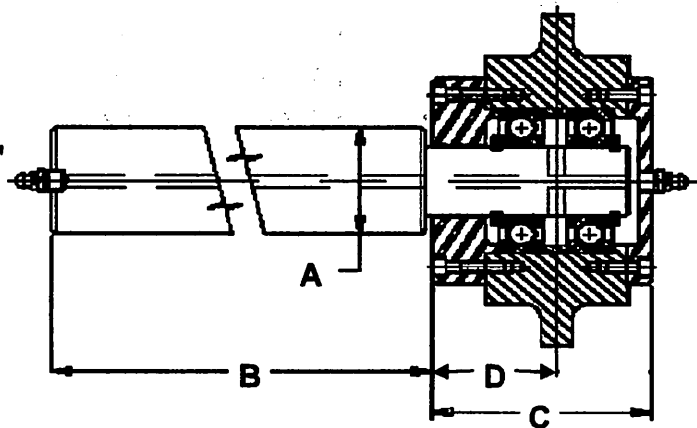
BULLETIN #1227071

BEARING ASSEMBLIES



B1 BEARING
"A" = SHAFT DIA. 1 1/8" - 2"
"B" = 3.125"
"C" = 1.250"
BEARING 6012RS

B2 SEALED BEARING
"A" = SHAFT DIA. 1 1/8" - 2"
"B" = 6" - 24"
"C" = 3 1/2"
"D" = 1 15/16"
BEARING 206KL



B3 SWIVEL BEARING ASSY
"A" = +/- 30°
"B" = SHAFT DIA. 1 1/8" - 2"
"C" = 6" - 18"
"D" = 1.125"
"E" = 3.250"
BEARING 6012RS

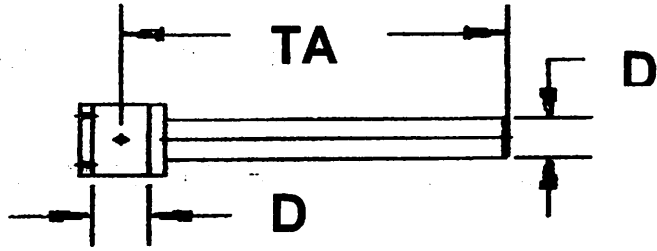
CUSTOM THREADING SYSTEMS, LLC 1230 Grubb Road, Chillicothe, OH 45601
TEL: 937-846-1405 FAX: 937-846-1459

BULLETIN #1227071BRG

MOUNTING HARDWARE

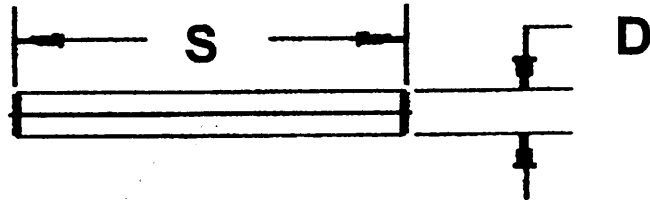
T-ARM

D = DIAMETER	TA = LENGTH
1 1/4"	12", 18" 24"
1-7/16"	12", 18" 24"
1-1/2"	12", 18" 24"
1-15/16"	12", 18" 24"
30mm (1.1811)	12", 18" 24"
40mm (1.5748)	12", 18" 24"
45mm (1.770)	12", 18" 24"

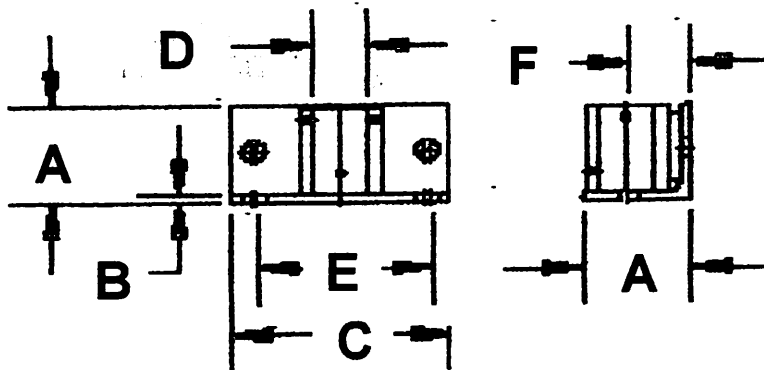


SHAFT

D = DIAMETER	S = LENGTH
1 1/4"	12", 18" 24"
1-7/16"	12", 18" 24"
1-1/2"	12", 18" 24"
1-15/16"	12", 18" 24"
30mm (1.1811)	12", 18" 24"
40mm (1.5748)	12", 18" 24"
45mm (1.770)	12", 18" 24"



BASE BRACKETS	A	B	C	E	3/4" LONG SLOTS **METRIC AVAILABLE
1 1/4"	3	0.375	5.5	4	
1-7/16"	3.5	0.375	6.5	4.75	
1-1/2"	3.5	0.375	6.5	4.75	
1-15/16"	4	0.375	7	5.5	
30mm (1.1811)	3	0.375	5.5	4	
40mm (1.5748)	3.5	0.375	6.5	4.75	
45mm (1.770)	4	0.375	7	5.5	

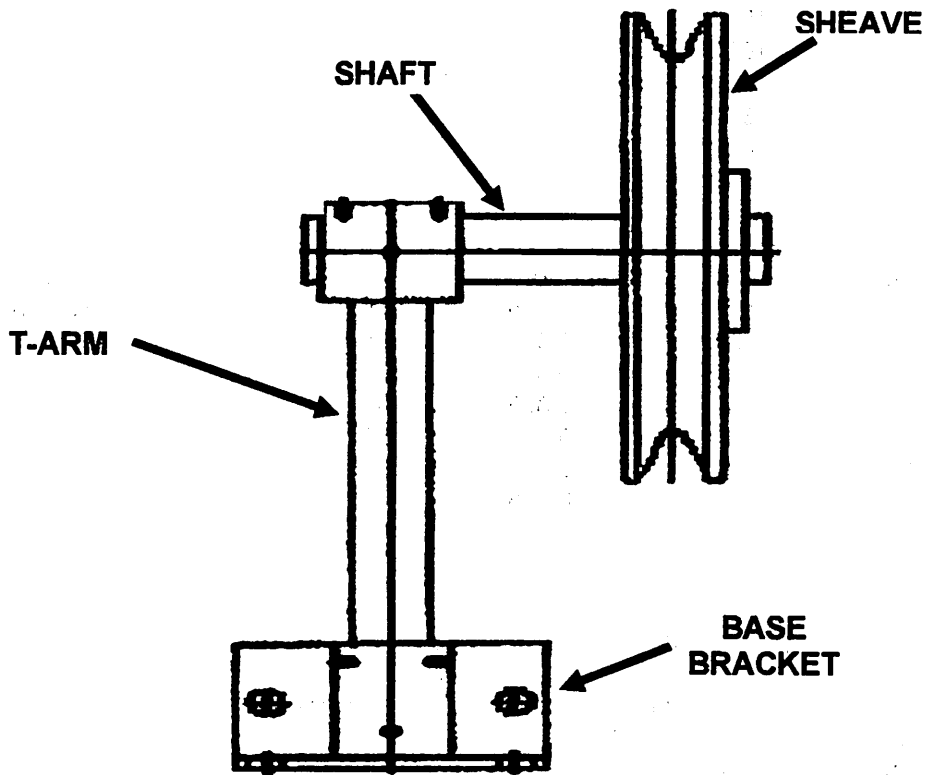


CUSTOM THREADING SYSTEMS, LLC 1230 Grubb Road, Chillicothe, OH 45601
 TEL: 937-846-1405 FAX: 937-846-1459

BULLETIN #122707MTGHRDW

MOUNTING HARDWARE

SHEAVE, T-ARM, BASE BRACKET AND SHAFT ASSEMBLY

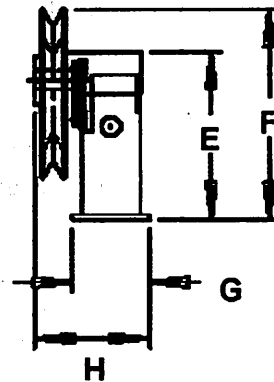
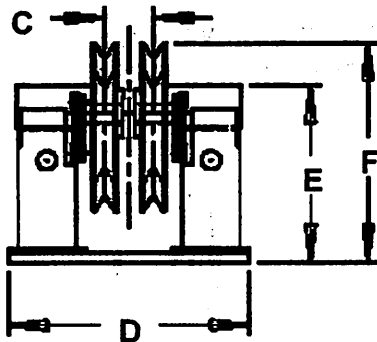
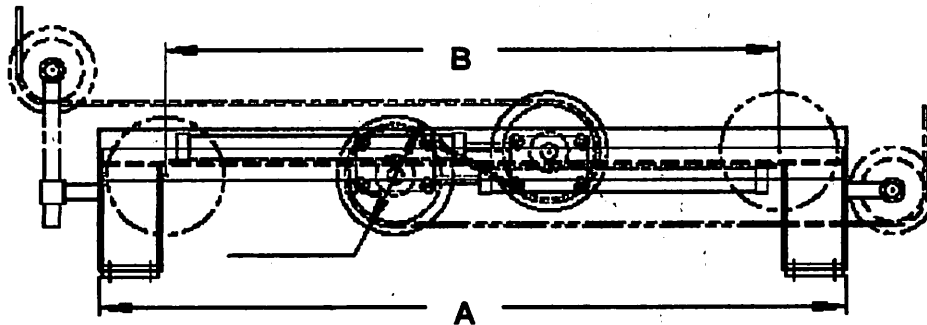


CUSTOM THREADING SYSTEMS, LLC 1230 Grubb Road, Chillicothe, OH 45601
TEL: 937-846-1405 FAX: 937-846-1459

BULLETIN #122707BST

ROPE STRETCHERS

MODEL #	FRAME ROPE LENGTH TAKE-UP	
CTS-S-MODEL 1	6'	6'
CTS-S-MODEL 2	7'	8'
CTS-S-MODEL 4	9'	12'
CTS-S-MODEL 6	11'	16'
CTS-S-MODEL 7	13'	20'
CTS-S-MODEL 8	15'	24'
CTS-S-MODEL 10	19'	32'
CTS-S-MODEL 11	21'	36'



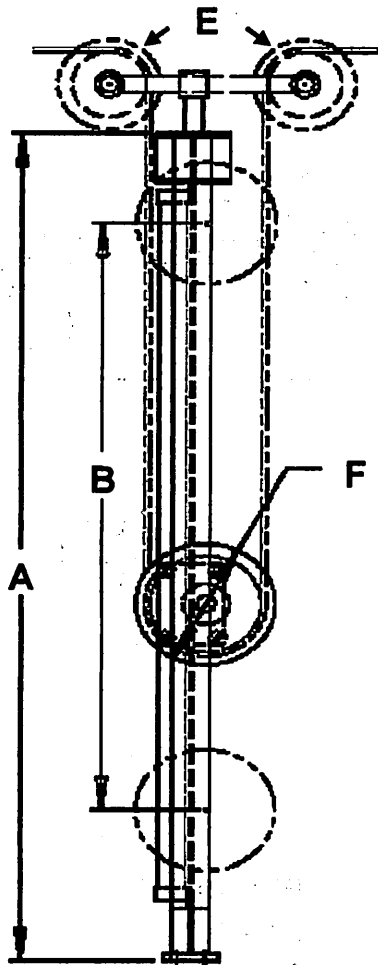
"A" = Frame Length
 "B" = Rope Take-Up
 "C" = 4.750"
 "D" = 25"
 "E" = 19.50"
 "F" = 26"
 "G" = 9"
 "H" = 14"

CUSTOM THREADING SYSTEMS, LLC 1230 Grubb Road, Chillicothe, OH 45601
 TEL: 937-846-1405 FAX: 937-846-1459

BULLETIN #122707STR

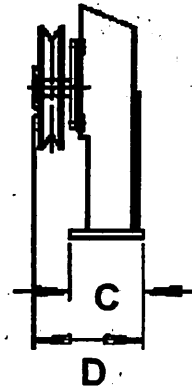
VERTICAL ROPE STRETCHERS

MODEL #	FRAME	ROPE LENGTH TAKE-UP
CTS-V-MODEL 12	5'	6'
CTS-V-MODEL 13	6'	8'
CTS-V-MODEL 14	8'	12'
CTS-V-MODEL 15	10'	16'
CTS-V-MODEL 16	12'	20'
CTS-V-MODEL 17	14'	24'
CTS-V-MODEL 18	18'	32'



VERTICAL DIMENSIONS

- "A" = Frame Length
- "B" = Rope Take-Up
- "C" = 9"
- "D" = 14"
- "E" = Sheaves (2) CRS1310
- "F" = Sheave CRS1714-B1



CUSTOM THREADING SYSTEMS, LLC 1230 Grubb Road, Chillicothe, OH 45601
 TEL: 937-846-1405 FAX: 937-846-1459

BULLETIN #122707STRV